



TWO WAYS 6÷10kW FM TRANSMITTERS

Technical description

Version 1.1 – 12/2016



TX6KGX, TX8KGX, TX10KGX TECHNICAL SPECIFICATIONS

Frequency Range	from 87,5 to 108 MHz
RF output power	6 / 8 / 10 kW typ; 6 / 7.5 / 9.5 kW min.
Exciter power:	10 W
Output power ALC stability	± 3%
Harmonic and spurious emissions:	< 80dB
Output RF impedance	50 Ohm
RF output connector	flange 1-5/8"
RF sampling connector	BNC
Modulation input	-3.5 ÷ +12.5dBm
Modulation signal	Mpx, L & R, Mono, Aux
S/N stereo	>75dB
Power supply	400 V _{ac} +10% / -15% 3phases with neutral
Total consumption	<10 / 13 / 16kVA
Suggested operative temp. range:	0 to -35 °C, extreme: -5 to +50 °C(*)
Relative humidity	up to 95% not condensing
Dimensions (30 units 19" UL standard rack):	60 x 105 x 160 cm (W x D x H)
Weight(*)	245Kg

DESCRIPTION:

The apparatus is composed by 2 standard RFB3000GX, RFB4000GX or RFB5000GX amplifier modules in a single rack including the coupler, the system controller and the EXC30GT exciter(s). On the top of the apparatus it is located an output flange for the exhaust hot air conveyed by the ventilation system and the RF output. This latter may be optionally mounted on the backside of the rack.

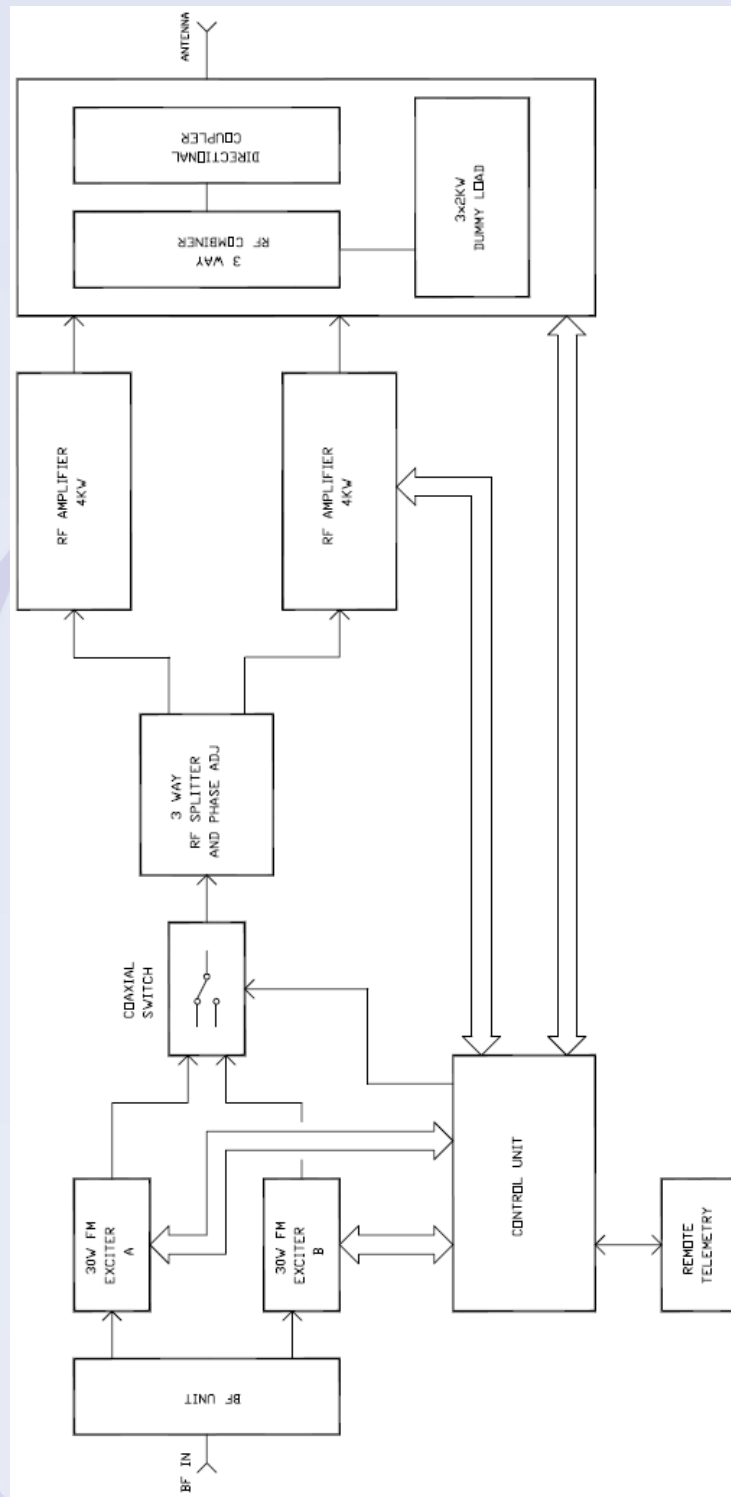
The good redundancy of the system assures the operative service also in case of partial or total failure of one or more amplifier modules. The total efficiency is very high.

The system is natively arranged for Dual Drive option and total remote control through Ethernet or optionally by GSM connection from a base station or partial control through SMS from standard cellular phones.

* with the reduction of the power

♦ Net weight included the ventilation system

BLOCK DIAGRAM OF THE TRANSMITTER (TWO WAYS)



Note: this diagram is for example purpose only



TRANSMITTER COMPOSITION



Note: real position of modules may slightly vary depending on system options